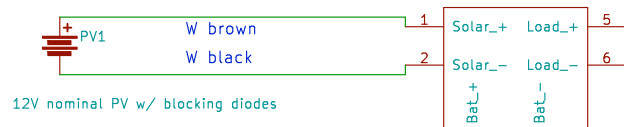
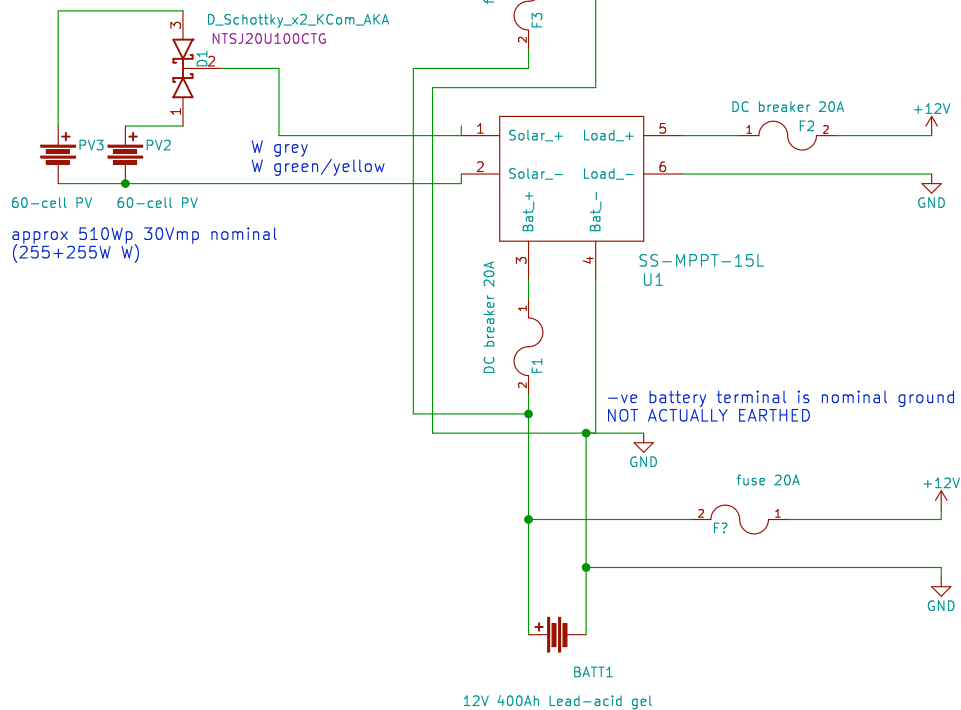


approx 100Wp 12V nominal  
(2+60W W, 20+20W E)



12V nominal PV w/ blocking diodes



60-cell PV 60-cell PV  
approx 510Wp 30Vmp nominal  
(255+255W W)

12V 400Ah Lead-acid gel

FOSS: licensed under Apache 2.0 / Solderpad 0.51  
(c) Damon Hart-Davis 2016, 2019

Sheet: /  
File: 16WOffGrid.sch

**Title: 16W Off-Grid System**

Size: A4 Date: 2019-05-27

KiCad E.D.A. eeschema (5.1.2-1)-1

Rev: 17

Id: 1/1