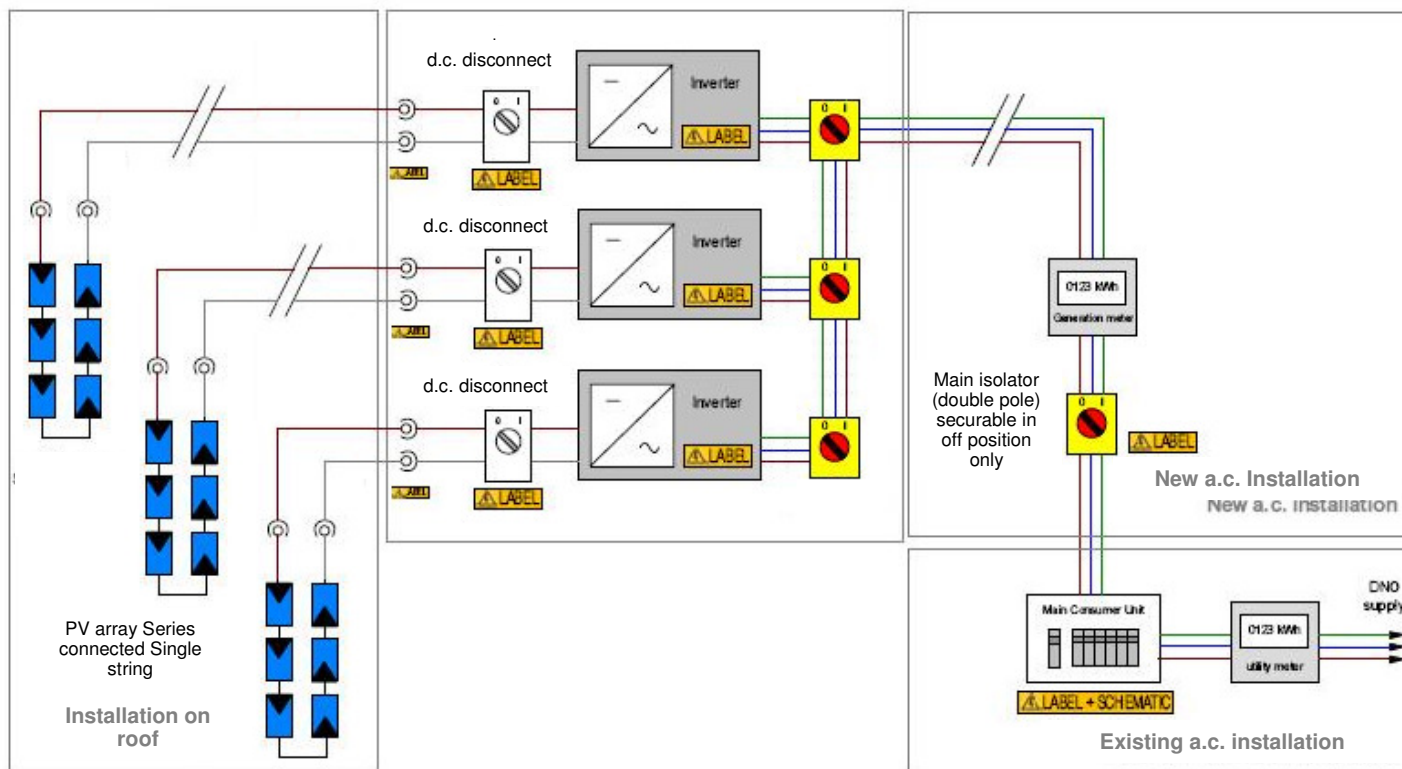


# Schematic of 3.87 kWp Photovoltaic System

## Table of inverter protection settings



		Unit
Lower limit AC Voltage (Uacmin)	209	V
Upper limit AC Voltage (Uacmax)	261	V
Max. disconnection time	5	s
Lower limit AC frequency (Facmin)	47	Hz
Upper limit AC frequency (Facmax)	50.5	Hz
Max. disconnection time	5	s
Max. impedance change (dZACmax)	0.35	Ohm
Reconnection time (T-start)	200	s

### Emergency shut down procedure:

**Turn a.c. isolator to 'OFF' position**

DNO supply



Concept House, Lilac Grove  
Nottingham, NG9 1PF  
T: 08448 150200  
F: 01512 111917

[www.evoenergy.co.uk](http://www.evoenergy.co.uk)  
[info@evoenergy.co.uk](mailto:info@evoenergy.co.uk)

#### Notes:

Schematic of 3.87 kWp PV  
SSEG – Using Sanyo  
215Wp Panels.

#### Revisions:

Rev	Date	Comments	Drn	Chkd
1	06/02/09	Mr Hart-Davis Issue	KH	KH

Client:  
Location:

Mr Hart-Davis  
16 Willingham Way,  
Kingston-Upon-Thames  
KT1 3JA

Title: **Electrical Schematic for 3.87kWp PV System**

Dwn: KH Chkd: KH Scale Date: 06/02/09  
Drg No: PV5594 Rev: 1