

Electrical Schematic for a 5.16 kWp PV system

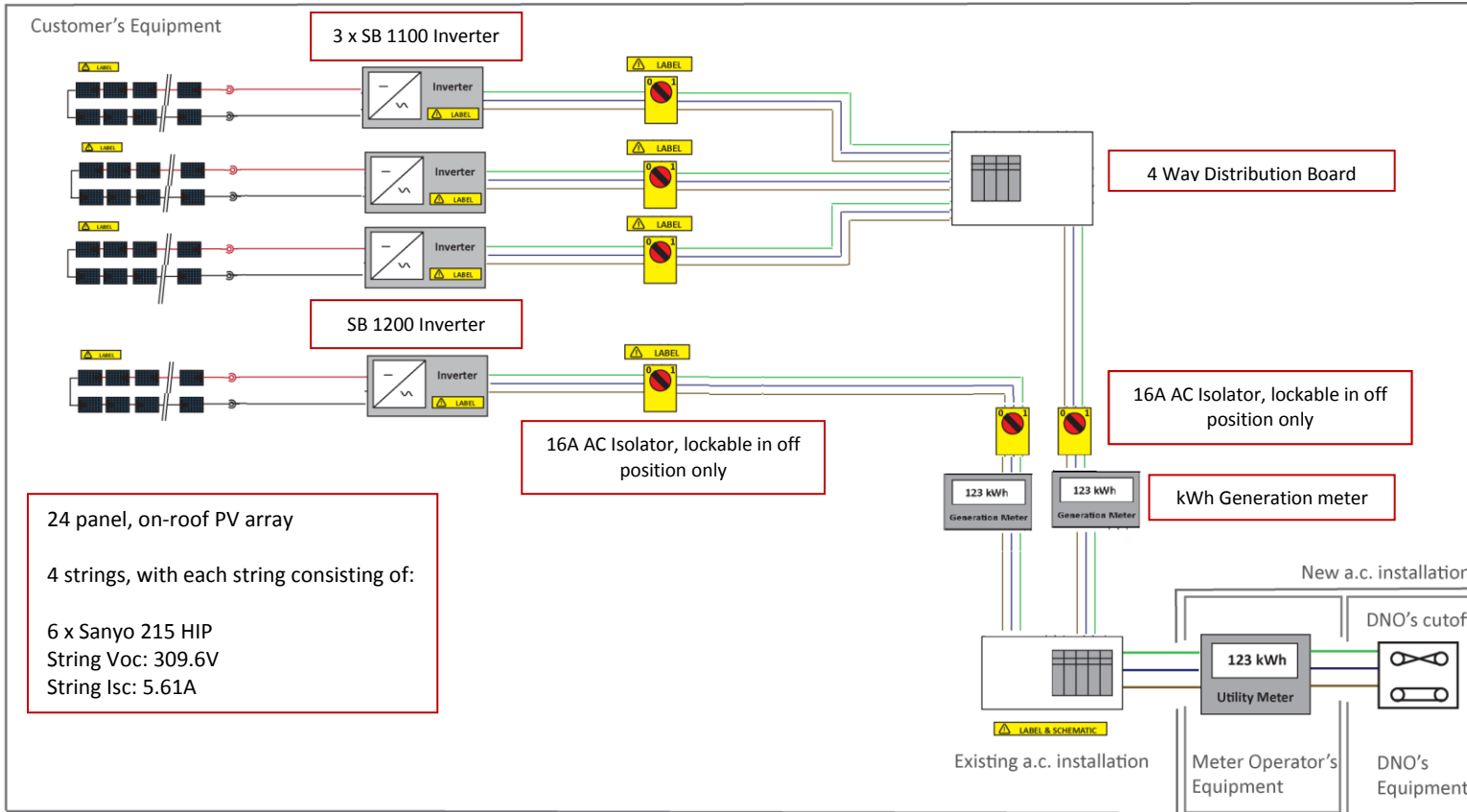


Table of Inverter Protection Settings

	Unit
Lower limit AC Voltage (Uacmin)	209 V
Upper limit AC Voltage (Uacmax)	261 V
Max. disconnection time	5 s
Lower limit AC frequency (Facmin)	47 Hz
Upper limit AC frequency (Facmax)	50.5 Hz
Max. disconnection time	5 s
Max. impedance change (dZACmax)	0.35 Ohm
Reconnection time (T-start)	200 s

Emergency shut down procedure:

Turn AC isolator to 'OFF' position

Remove Electronic Solar Switch from SMA Inverter to isolate DC.

Note: Leave Inverter for 30mins before working on



27 Eldon Business Park
Eldon Road
Attenborough
Nottingham
NG9 6DZ

T: 08448 150200
F: 01512 111917

www.evoenergy.co.uk
info@evoenergy.co.uk

Notes:

Schematic of 5.16 kWp SSEG (PV 5594) – using 24 x Sanyo NKHE 215 HIP panels.

Revisions:

Rev	Date	Comments	Drn	Chkd

Dwn: DN Chkd: KH
Drg No: PV 5594

Date: 15/04/10
Rev: 1

Client: Damon Hart-Davis
Address: 16 Willingham Way
Kingston-Upon-Thames
KT1 3JA

Title: Electrical Schematic for a 5.16 kWp PV system