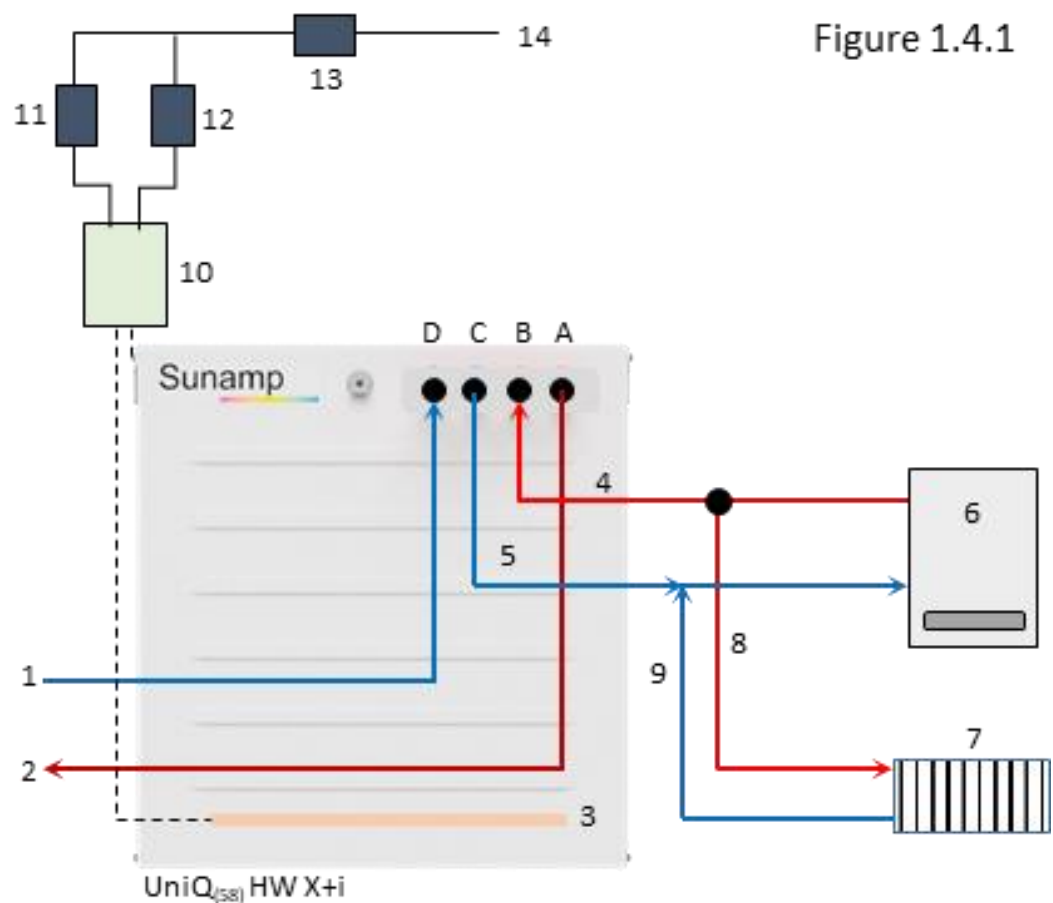


## Direct replacement for vented and unvented INDIRECT hot water cylinders when used with a system boiler



Key: Figure 1.4.1

- 1 Mains cold water supply
- 2 Mains hot water supply
- 3 Electric heating element
- 4 Primary from external heat source
- 5 Primary return to external heat source
- 6 External heat source e.g. Boiler, HT heat pump
- 7 Heating system
- 8 Heating system flow from external heat source
- 9 Heating system return to external heat source
- 10 UniQ HB Controller
- 11 Control circuit (3A) switched supply
- 12 Heating element (13A) switched supply
- 13 Local 16A 2-Pole isolator
- 14 Mains electricity supply:230V, AC, 16A
- 15 PV power diversion controller
- 16 LT Heat pump only (e.g. Daikin Altherma 3/R32)
- 17 Combination boiler
- 18 Solar PV heated hot water supply
- 19 Kit 1: Combi solar valve & thermostatic blending valve
- 20 Solar PV heated heating return
- 21 Kit 2: 3-Port diverter valve & temperature sensor

## Pre feed install to a combi boiler to utilize excess solar for hot water

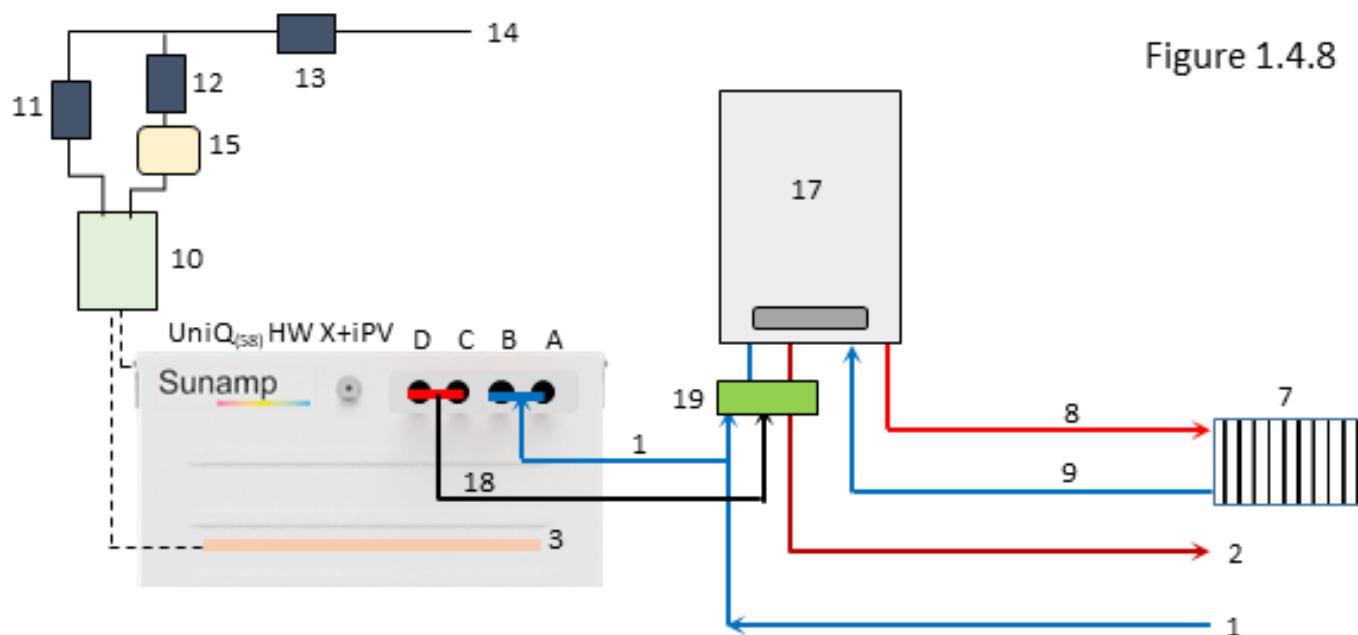


Figure 1.4.8

Key: Figure 1.4.1 and 1.4.8

- 1 Mains cold water supply
- 2 Mains hot water supply
- 3 Electric heating element
- 4 Primary from external heat source
- 5 Primary return to external heat source
- 6 External heat source e.g. Boiler, HT heat pump
- 7 Heating system
- 8 Heating system flow from external heat source
- 9 Heating system return to external heat source
- 10 UniQ HB Controller
- 11 Control circuit (3A) switched supply
- 12 Heating element (13A) switched supply
- 13 Local 16A 2-Pole isolator
- 14 Mains electricity supply:230V, AC, 16A
- 15 PV power diversion controller
- 16 LT Heat pump only (e.g. Daikin Altherma 3/R32)
- 17 Combination boiler
- 18 Solar PV heated hot water supply
- 19 Kit 1: Combi solar valve & thermostatic blending valve
- 20 Solar PV heated heating return
- 21 Kit 2: 3-Port diverter valve & temperature sensor

# Sunamp / Combo / Solar for space heat and hot water

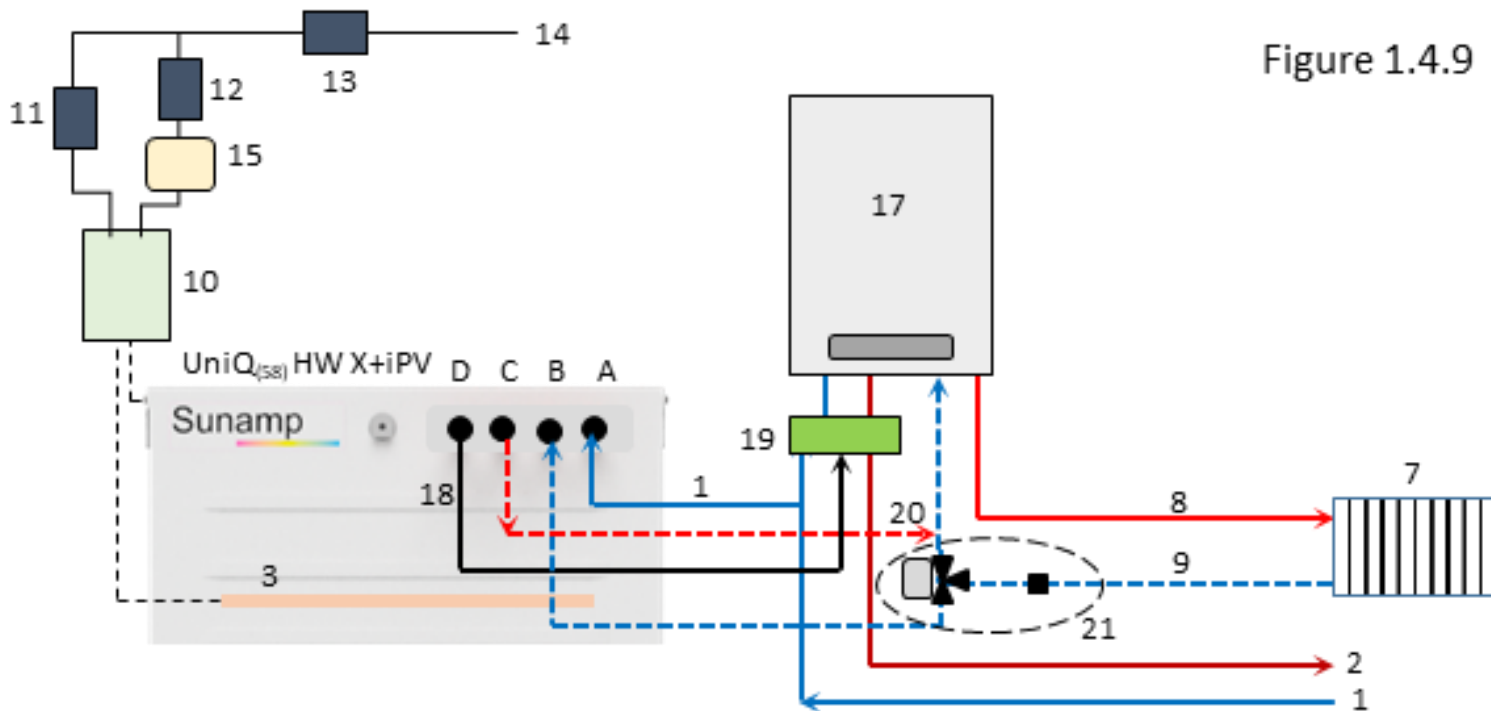


Figure 1.4.9

Key: Figures 1.4.1 – 1.4.9

- 1 Mains cold water supply
- 2 Mains hot water supply
- 3 Electric heating element
- 4 Primary from external heat source
- 5 Primary return to external heat source
- 6 External heat source e.g. Boiler, HT heat pump
- 7 Heating system
- 8 Heating system flow from external heat source
- 9 Heating system return to external heat source
- 10 UniQ HB Controller
- 11 Control circuit (3A) switched supply
- 12 Heating element (13A) switched supply
- 13 Local 16A 2-Pole isolator
- 14 Mains electricity supply: 230V, AC, 16A
- 15 PV power diversion controller
- 16 LT Heat pump only (e.g. Daikin Altherma 3/R32)
- 17 Combination boiler
- 18 Solar PV heated hot water supply
- 19 Kit 1: Combi solar valve & thermostatic blending valve
- 20 Solar PV heated heating return
- 21 Kit 2: 3-Port diverter valve & temperature sensor