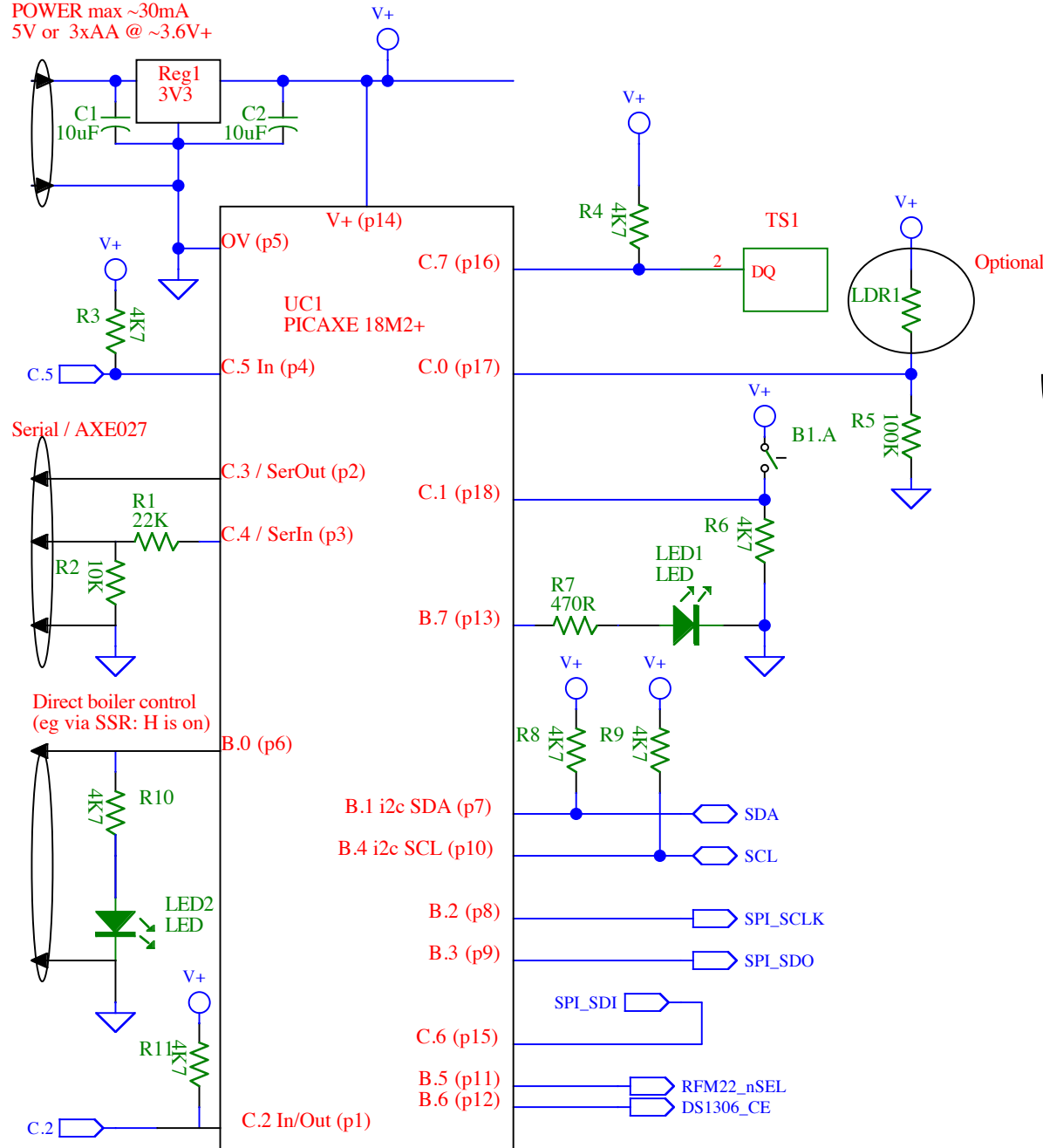


DHD20130218 (r429+)

Wireless TRV (&boiler) controller V0.09

V0.090 PICAXE+18B20+RFM22+1306

POWER max ~30mA
5V or 3xAA @ ~3.6V+



- UC1 PICAXE 18M2+ microcontroller
- Reg1 3V3 low-dropout regulator TS2950CT-3.3 eg Maplin N68CA
- TS1 DS18B20 1-wire temperature sensor
- LDR1 light dependent resistor such as SEN002/techsupplies.co.uk (like GL5528 1M+ dark, ~10k @ 10 Lux)
- LED1 'Call for heat' and mode LED.
- LED2 'Boiler on' (optional)
- RTC1 DS1306 (optional) w/ supercap backup
- RAD1 RFM22B 868MHz radio module
- XTAL1 32768Hz 6pf load watch crystal
- C3 supercap to maintain time, or short to GND
- OF1 should be good for ~100h backup

